



US00D702141S

(12) **United States Design Patent**
Jung et al.

(10) **Patent No.:** **US D702,141 S**

(45) **Date of Patent:** **** Apr. 8, 2014**

(54) **GOLF GPS DEVICE**

(71) Applicant: **Deca System, Inc.**, Seongnam-si (KR)

(72) Inventors: **Seung Wook Jung**, Cerritos, CA (US);
Seung Jin Kim, Irvine, CA (US)

(73) Assignee: **Deca System, Inc.** (KR)

(**) Term: **14 Years**

(21) Appl. No.: **29/448,292**

(22) Filed: **Mar. 11, 2013**

Related U.S. Application Data

(63) Continuation of application No. 29/423,591, filed on Jun. 1, 2012, now Pat. No. Des. 677,589.

(51) **LOC (10) Cl.** **10-04**

(52) **U.S. Cl.**
USPC **D10/65; D10/70**

(58) **Field of Classification Search**

USPC D10/65, 70, 104.2, 106.6; D14/315, D14/336, 337, 341, 342, 343, 240–242, D14/356–358, 371, 140.1–140.6, 140, 155, D14/159, 137, 149, 150, 217, 170–171, 125, D14/188, 203.3, 203.4, 203.7; 342/386, 342/351, 419, 457, 357.2–357.78, 450, 342/458; 343/702; 345/87, 104, 133, 156, 345/168, 173, 901–905; 348/180, 184, 315, 348/739; 364/444, 499; 701/23–28, 400, 701/408, 409, 468–491, 526, 532; 340/539.13; 473/131, 407

See application file for complete search history.

(56) **References Cited**

U.S. PATENT DOCUMENTS

D584,176 S	1/2009	Maruyama et al.	
D648,232 S *	11/2011	Reigneau	D10/65
D659,037 S *	5/2012	Madsen et al.	D10/65
D659,562 S	5/2012	Groener et al.	
D685,355 S *	7/2013	Holleman et al.	D14/240
D686,595 S *	7/2013	Andre et al.	D14/217
D693,248 S *	11/2013	Anderssen et al.	D10/65
D693,249 S *	11/2013	Anderssen et al.	D10/65
D693,250 S *	11/2013	Anderssen et al.	D10/65
D694,233 S *	11/2013	Hoofnagle et al.	D14/356

* cited by examiner

Primary Examiner — Antoine D Davis

(74) *Attorney, Agent, or Firm* — Knobbe Martens Olson & Bear LLP

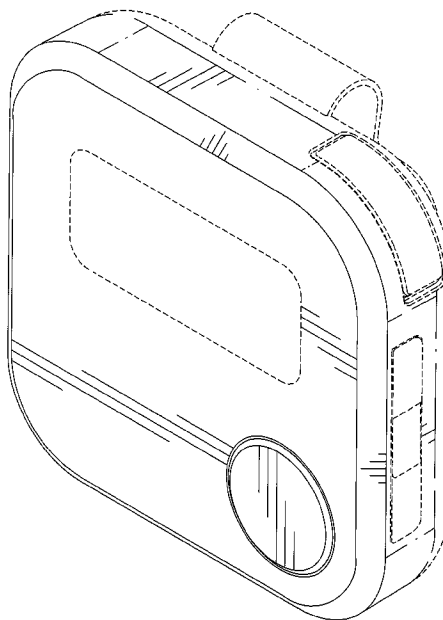
(57) **CLAIM**

The ornamental design of a golf GPS device, as shown and described herein.

DESCRIPTION

FIG. 1 is a perspective view of a golf GPS device in accordance with an embodiment of the present invention; FIG. 2 is another perspective view of a golf GPS device of FIG. 1; FIG. 3 is a front view of the golf GPS device of FIG. 1; FIG. 4 is a rear view of the golf GPS device of FIG. 1; FIG. 5 is a left side view of the golf GPS device of FIG. 1; FIG. 6 is a right side view of the golf GPS device of FIG. 1; FIG. 7 is a top plan view of the golf GPS device of FIG. 1; and, FIG. 8 is a bottom plan view of the golf GPS device of FIG. 1. The broken lines in the Figures are for illustrative purposes only and form no part of the claimed design.

1 Claim, 6 Drawing Sheets



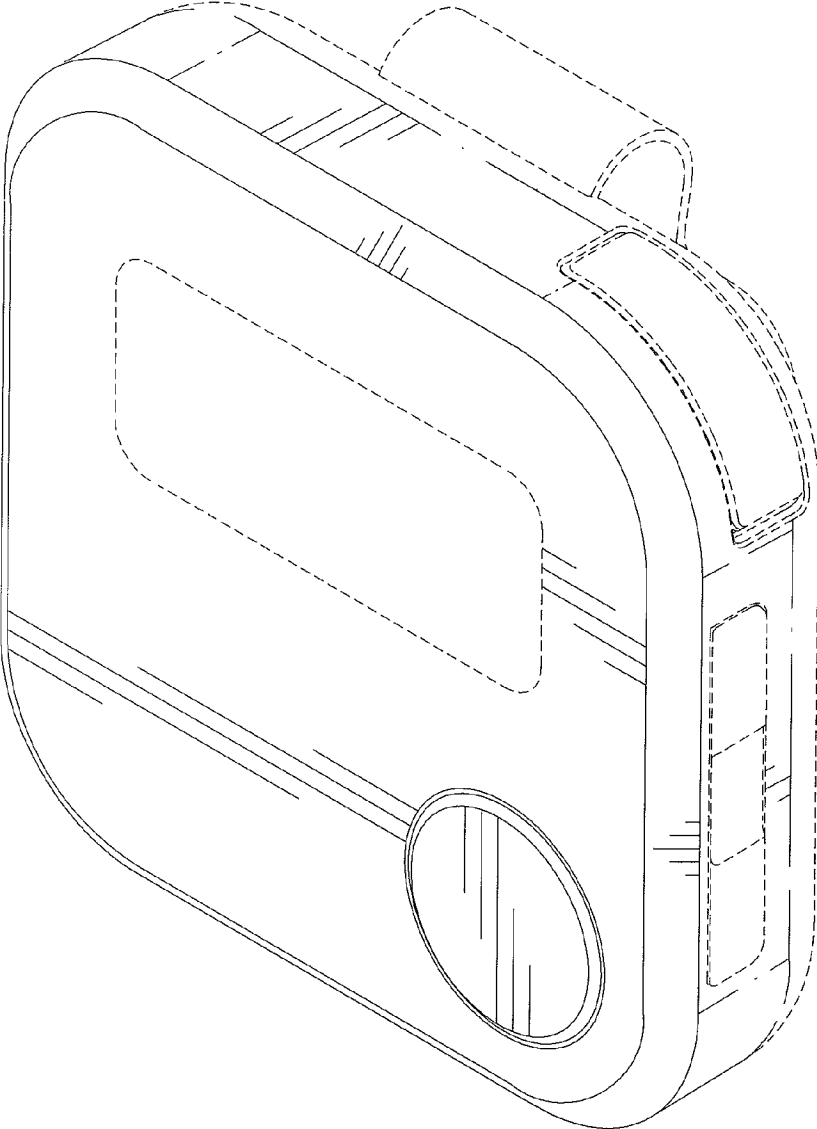


FIG. 1

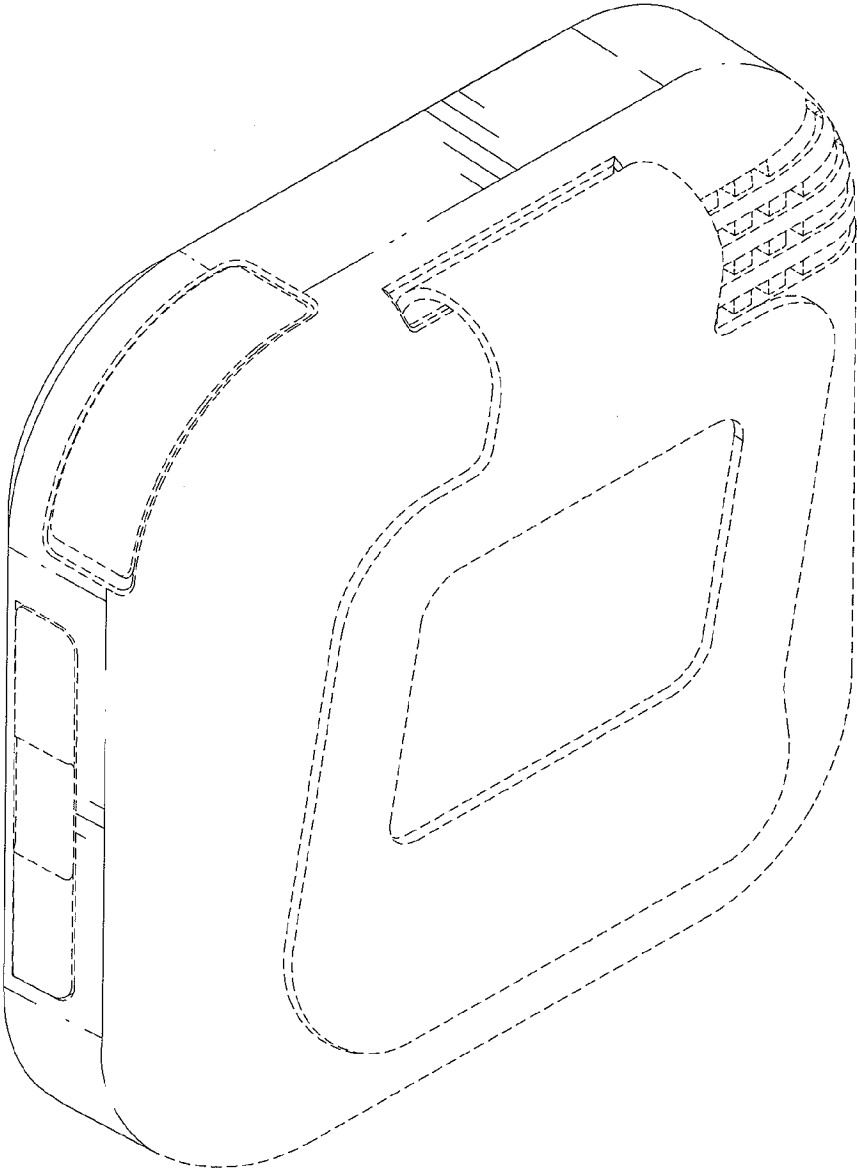


FIG. 2

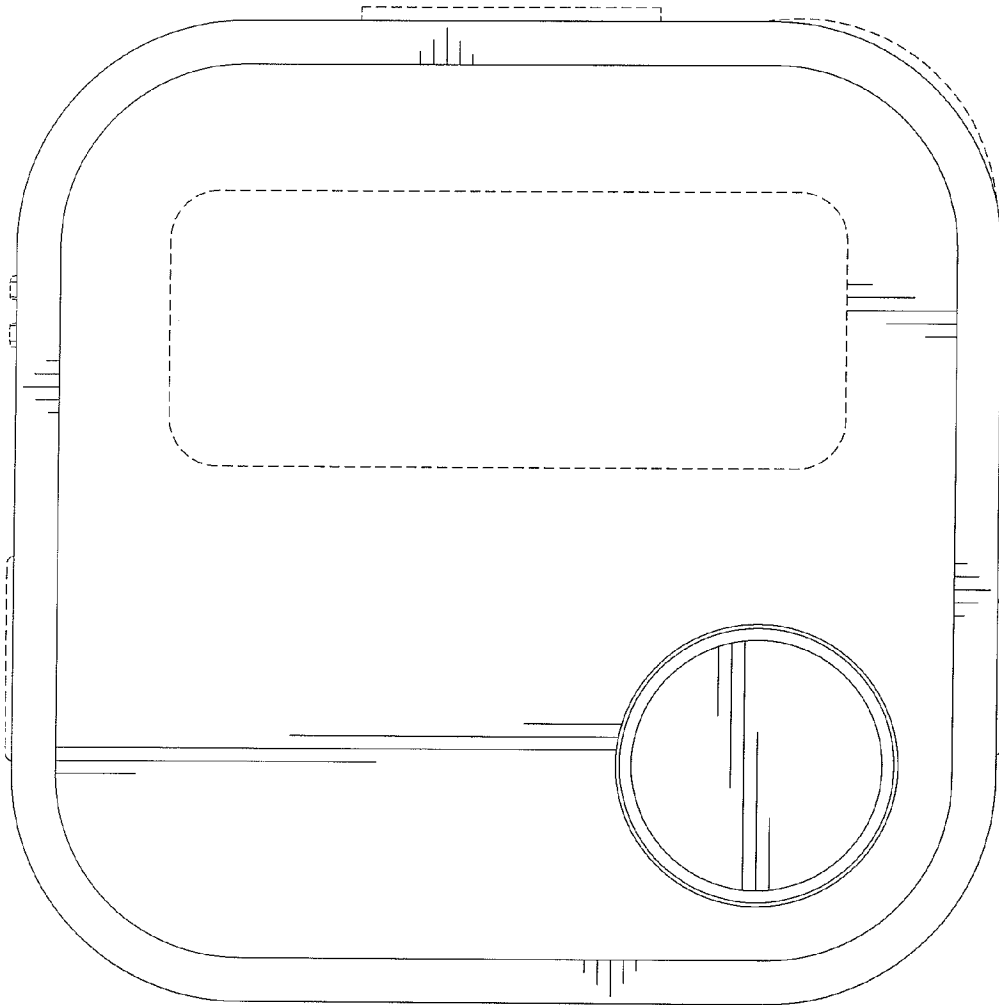


FIG. 3

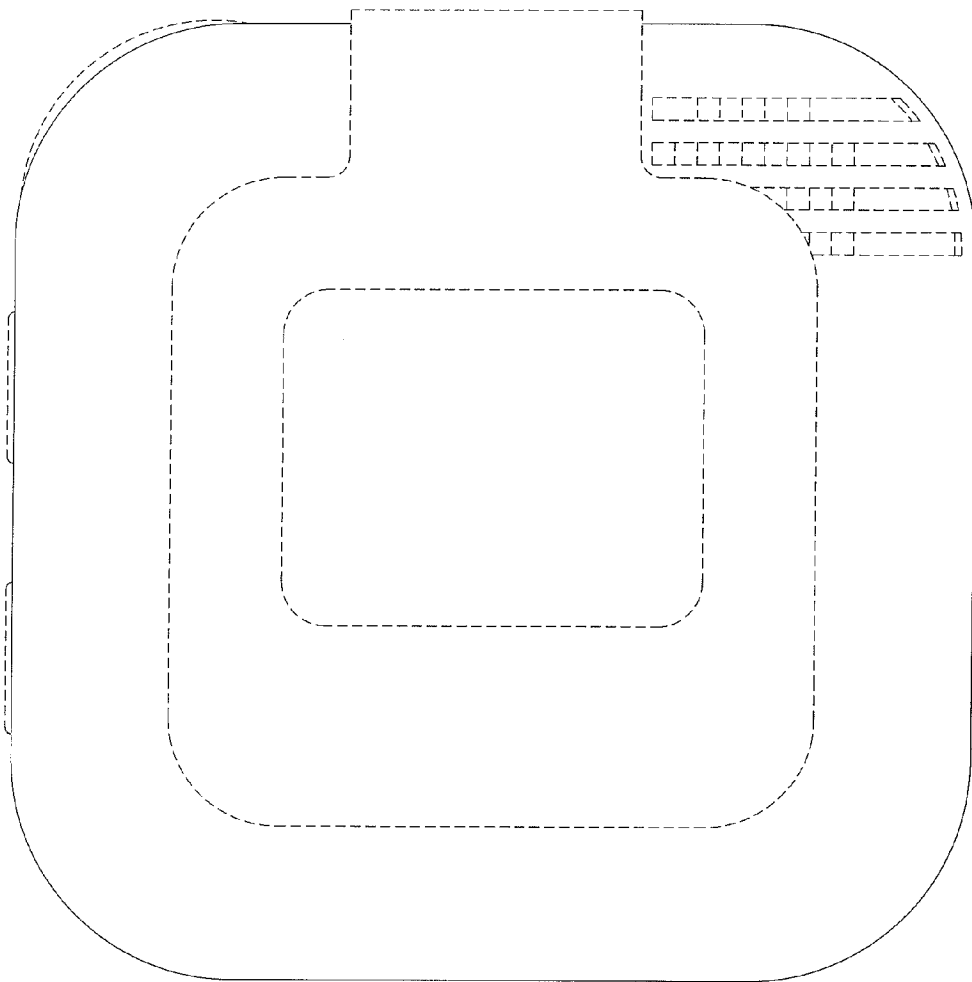


FIG. 4

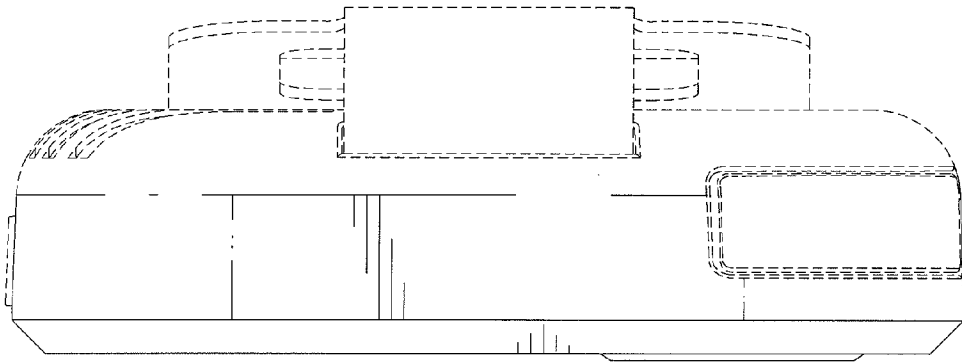


FIG. 5

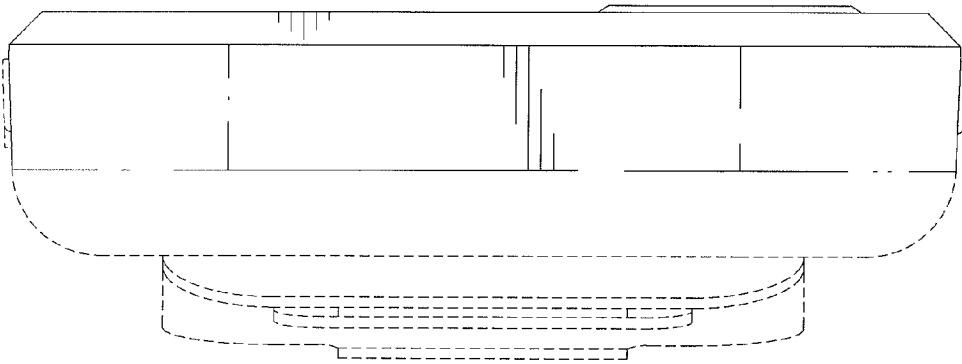


FIG. 6

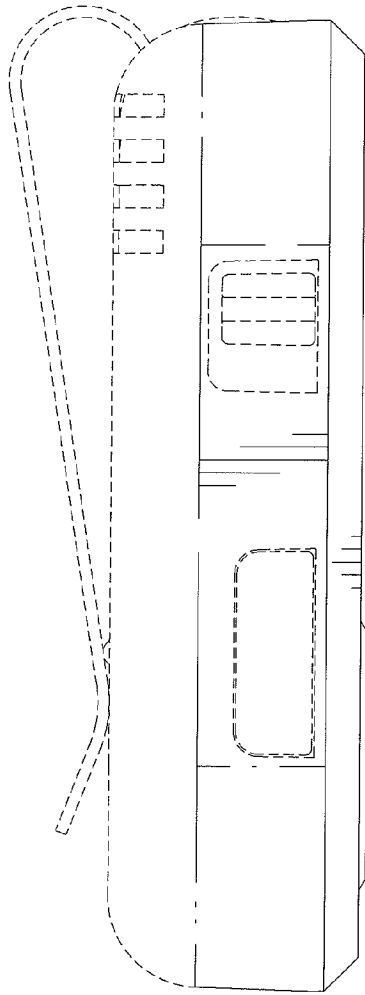


FIG. 7

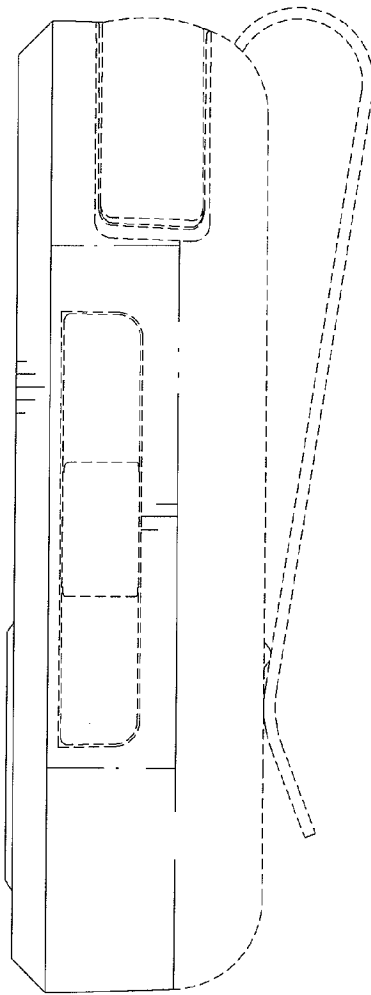


FIG. 8