



US00D744882S

(12) **United States Design Patent**
Jung et al.

(10) **Patent No.:** **US D744,882 S**

(45) **Date of Patent:** **** Dec. 8, 2015**

(54) **GOLF GPS DEVICE**

(71) Applicant: **DECA SYSTEM, INC.**, Seongnam-si, Gyeonggi-do (KR)

(72) Inventors: **Seung Wook Jung**, Cerritos, CA (US); **Seung Jin Kim**, Irvine, CA (US)

(73) Assignee: **DECA SYSTEM, INC.**, Seongnam-Si (KR)

(**) Term: **14 Years**

(21) Appl. No.: **29/518,049**

(22) Filed: **Feb. 19, 2015**

Related U.S. Application Data

(63) Continuation of application No. 29/482,001, filed on Feb. 12, 2014, now Pat. No. Des. 724,461, which is a continuation of application No. 29/448,292, filed on Mar. 11, 2013, now Pat. No. Des. 702,141, which is a continuation of application No. 29/423,591, filed on Jun. 1, 2012, now Pat. No. Des. 677,589.

(51) **LOC (10) Cl.** **10-04**

(52) **U.S. Cl.**
USPC **D10/98; D10/70**

(58) **Field of Classification Search**

USPC D10/65, 70, 78, 97, 98; 2/127, 170; 40/633, 665; 59/80; 63/15.7; 340/407.1, 665, 323 R; 368/41; 434/247, 258; 482/1, 2, 4, 8, 9, 44, 482/148, 901, 74, 909; 600/485, 500, 503, 600/437, 443, 453, 459, 465, 479, 502, 595, 600/481, 483; 702/178, 155, 160, 176, 78, 702/79, 82, 91-95, 104, 116, 141, 150, 151, 702/154, 127, 131, 182, 183, 189; 235/105; 377/5, 24.2, 26; 73/514.33, 514.34, 73/510, 513, 527, 530; 324/522; 345/165, 345/156, 905; 342/27, 28, 52-58, 419, 450, 342/457, 458; 250/DIG. 1
CPC A41D 1/002; A44C 5/0015; A44C 5/102; A44C 5/14; A44C 5/02; A61B 19/44; A61B 2019/446; A63B 71/06; A63B 26/00; A63B 24/0075; A63B 2071/0663; G09F 3/005; G06F 1/163; G06F 3/038; G06F 3/03547

See application file for complete search history.

(56) **References Cited**

U.S. PATENT DOCUMENTS

D555,019 S 11/2007 Au Yeung
D584,176 S 1/2009 Maruyama et al.

(Continued)

Primary Examiner — Antoine D Davis

(74) *Attorney, Agent, or Firm* — Knobbe Martens Olson & Bear LLP

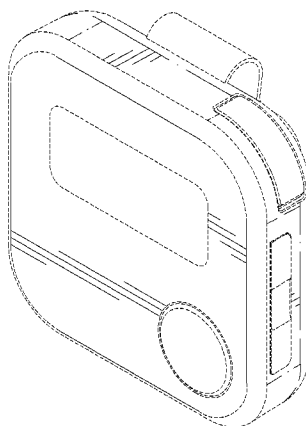
CLAIM

(57) The ornamental design of a golf GPS device, as shown and described.

DESCRIPTION

FIG. 1 is a perspective view of golf GPS device representing first and second embodiments of the present invention; FIG. 2 is another perspective view of the golf GPS device of FIG. 1 according to the first and second embodiments; FIG. 3 is a front view of the golf GPS device of FIG. 1 according to the first and second embodiments; FIG. 4 is a rear view of the golf GPS device of FIG. 1 according to the first and second embodiments; FIG. 5 is a top plan view of the golf GPS device of FIG. 1 according to the first embodiment; FIG. 6 is a bottom plan view of the golf GPS device of FIG. 1 according to the first embodiment; FIG. 7 is a left side view of the golf GPS device of FIG. 1 according to the first embodiment; FIG. 8 is a right side view of the golf GPS device of FIG. 1 according to the first embodiment; FIG. 9 is a top plan view of the golf GPS device of FIG. 1 according to the second embodiment; FIG. 10 is a bottom plan view of the golf GPS device of FIG. 1 according to the second embodiment; FIG. 11 is a left side view of the golf GPS device of FIG. 1 according to the second embodiment; and, FIG. 12 is a right side view of the golf GPS device of FIG. 1 according to the second embodiment. Broken lines are for illustrative purposes only and are not intended to limit the claimed design.

1 Claim, 8 Drawing Sheets



(56)

References Cited

U.S. PATENT DOCUMENTS

D611,366 S 3/2010 Register et al.
 D615,427 S 5/2010 Au Yeung
 D632,984 S 2/2011 Register et al.
 D635,874 S 4/2011 Tseng et al.
 D637,097 S 5/2011 Tseng
 D644,542 S 9/2011 Henne et al.
 D648,232 S 11/2011 Reigneau
 D659,037 S 5/2012 Madsen et al.
 D659,562 S 5/2012 Groener et al.
 D665,679 S 8/2012 Shigeno et al.
 D665,680 S 8/2012 Shigeno et al.
 D674,715 S 1/2013 Dalton
 D677,589 S 3/2013 Jung et al.

D682,126 S 5/2013 Tello
 D684,071 S 6/2013 Greenwood et al.
 D685,355 S 7/2013 Holleman et al.
 D686,595 S 7/2013 Andre et al.
 8,506,524 B2 8/2013 Graskov et al.
 D693,248 S 11/2013 Anderssen et al.
 D693,249 S 11/2013 Anderssen et al.
 D693,250 S 11/2013 Anderssen et al.
 D694,233 S 11/2013 Hoofnagle et al.
 D699,131 S 2/2014 Marshall et al.
 D700,084 S 2/2014 Hsu
 D702,141 S 4/2014 Jung et al.
 8,717,293 B2 * 5/2014 Wong et al. 345/158
 D730,223 S * 5/2015 Behar D10/70
 D730,224 S * 5/2015 Behar D10/103

* cited by examiner

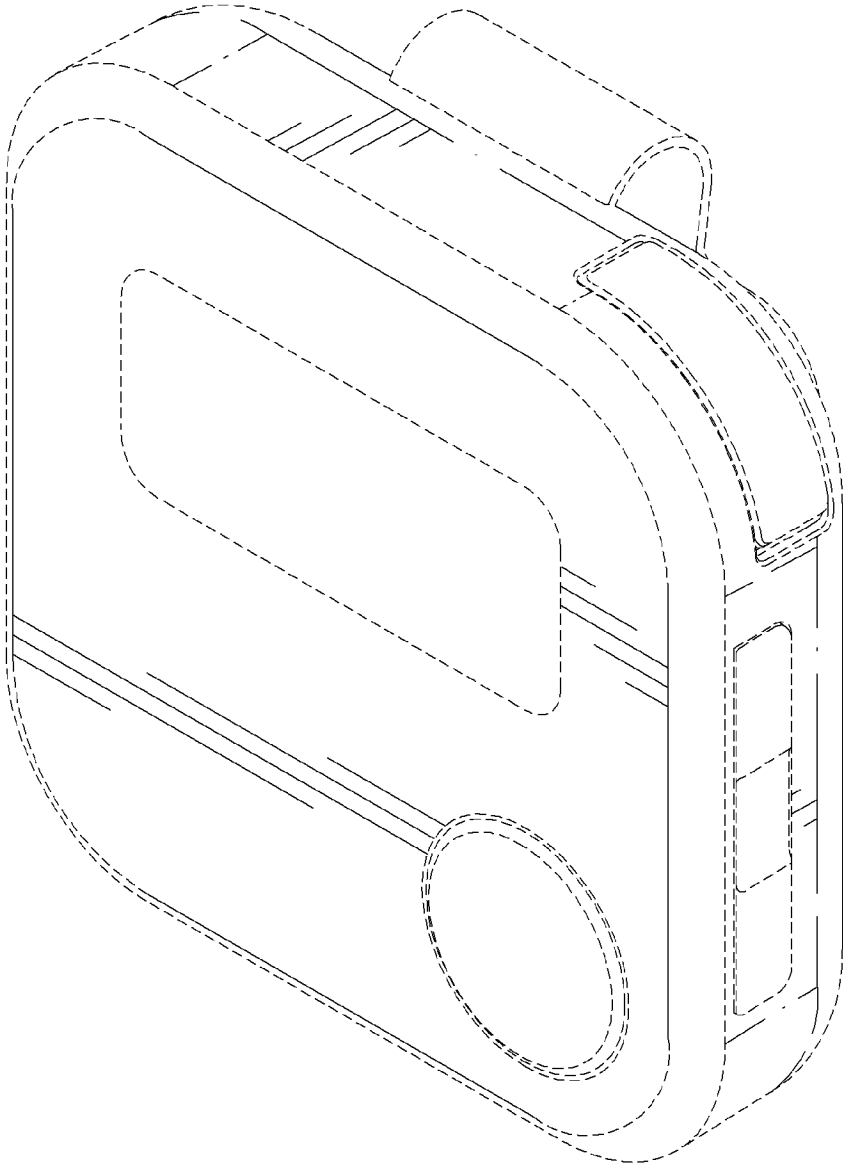


FIG. 1

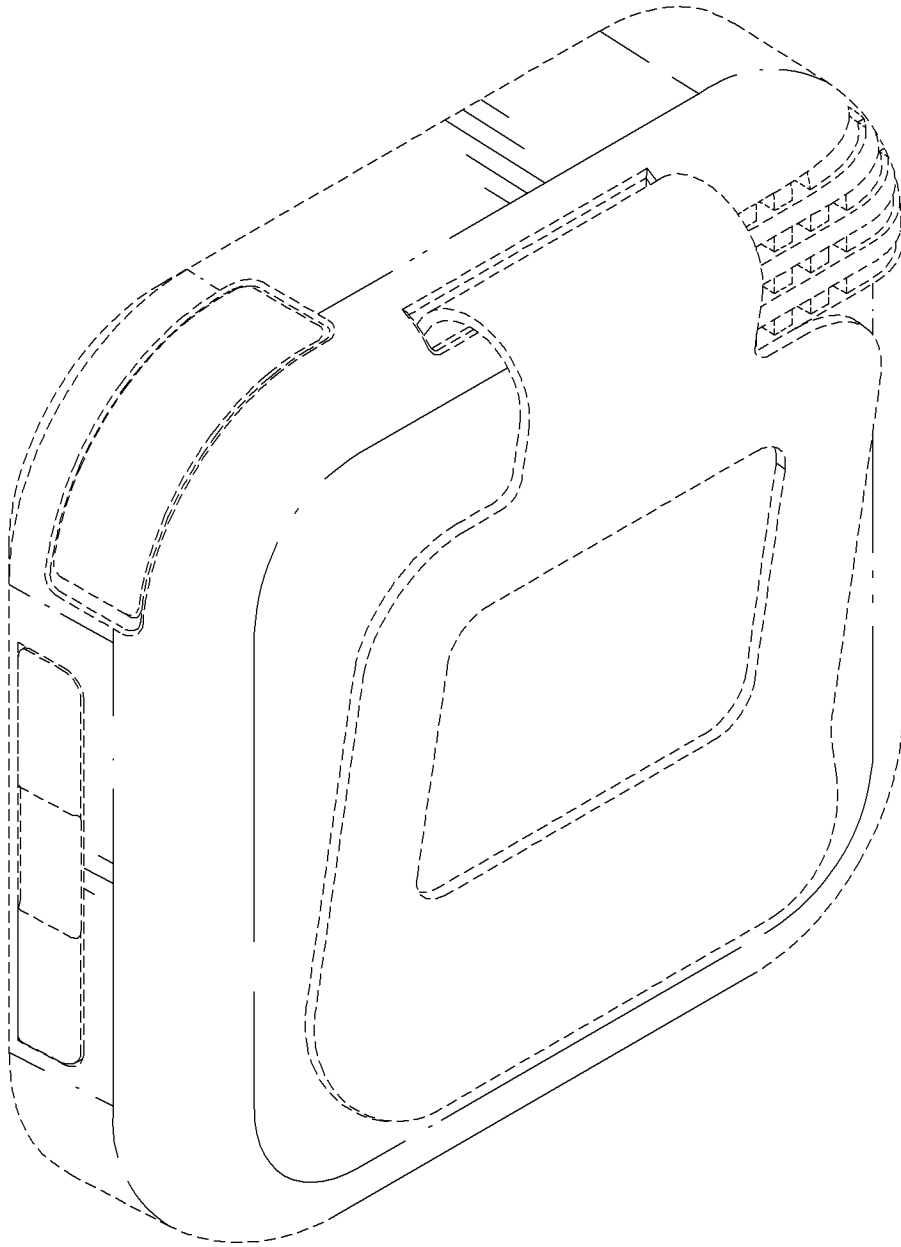


FIG. 2

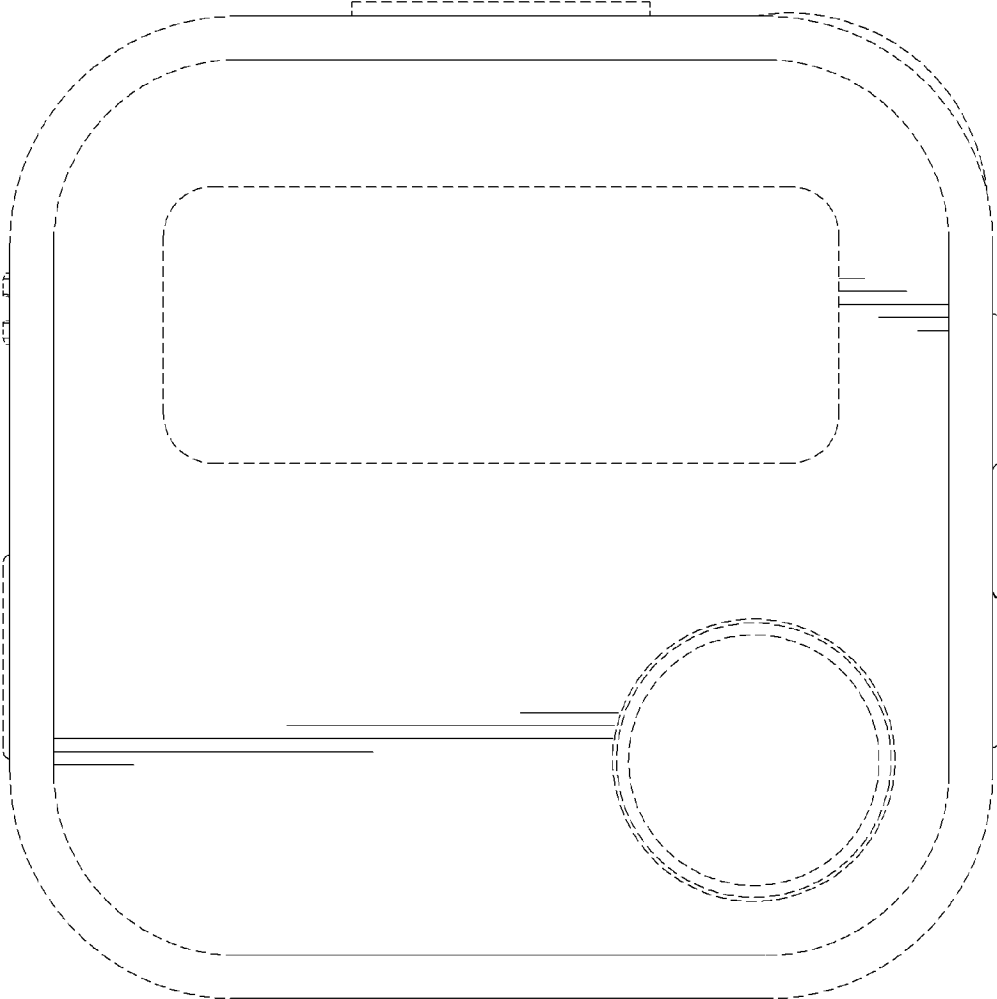


FIG. 3

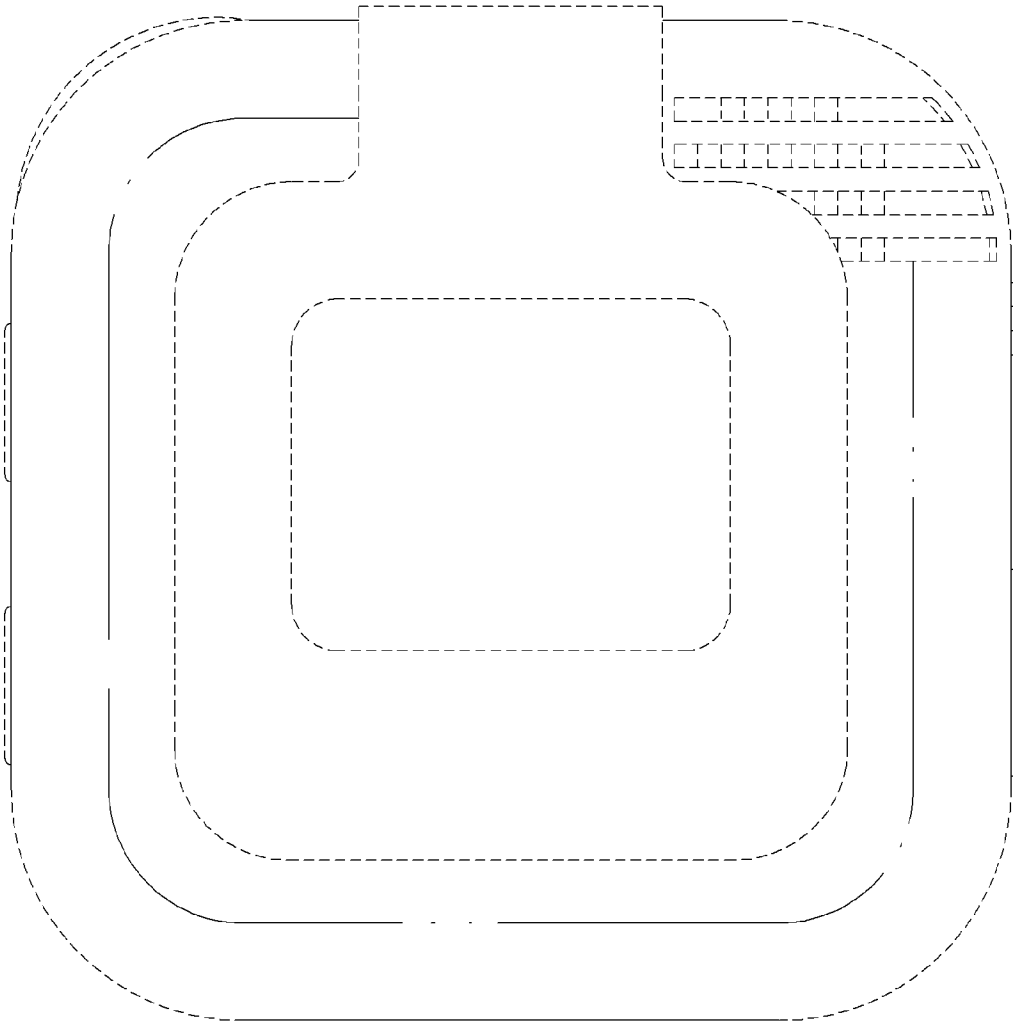


FIG. 4

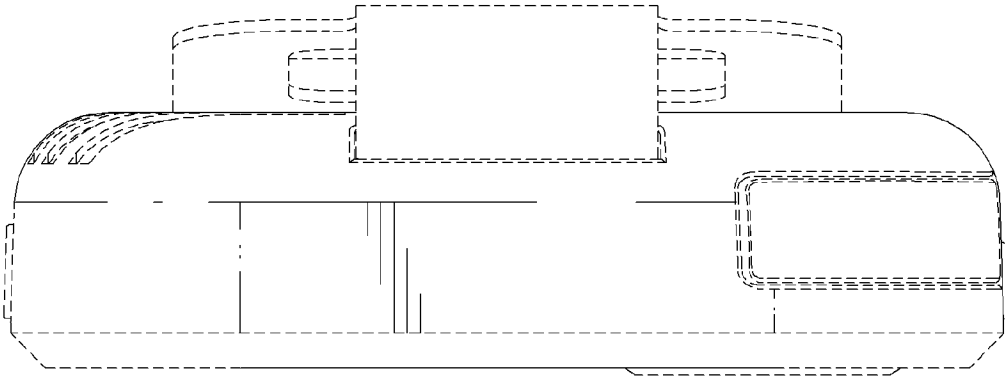


FIG. 5

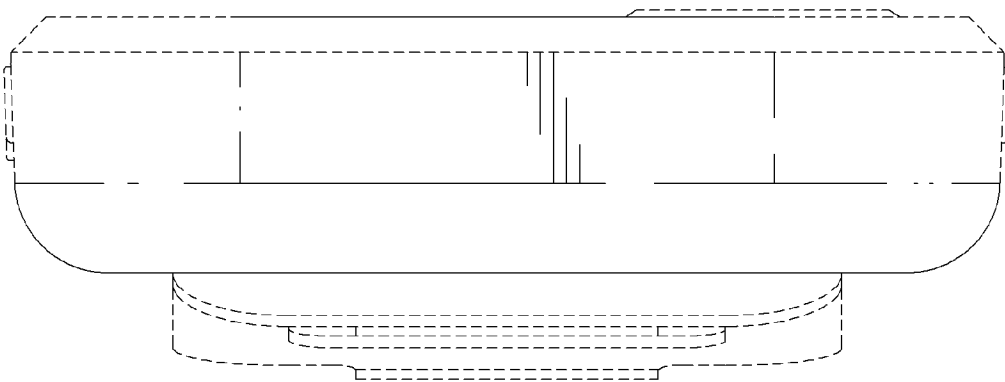


FIG. 6

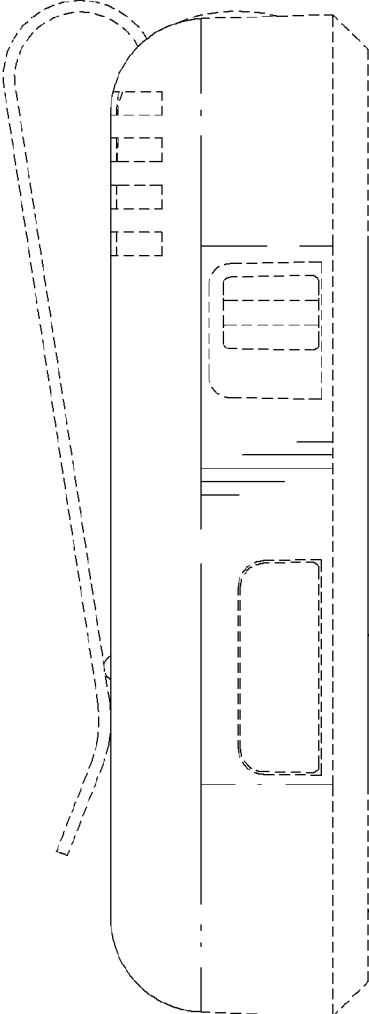


FIG. 7

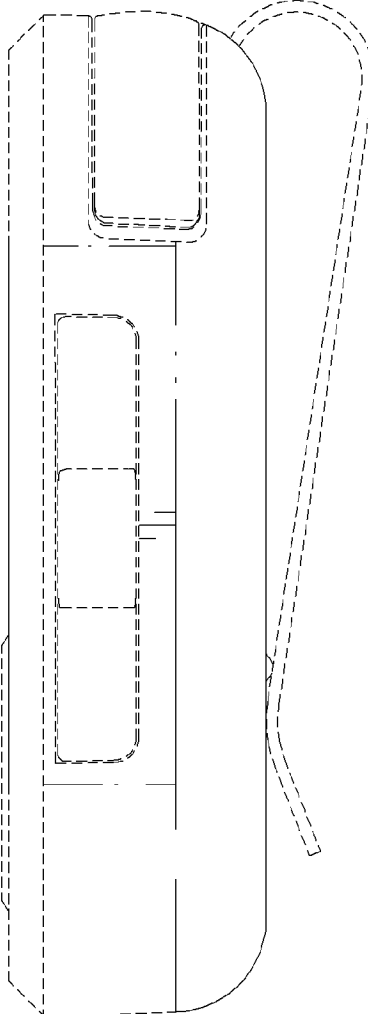


FIG. 8

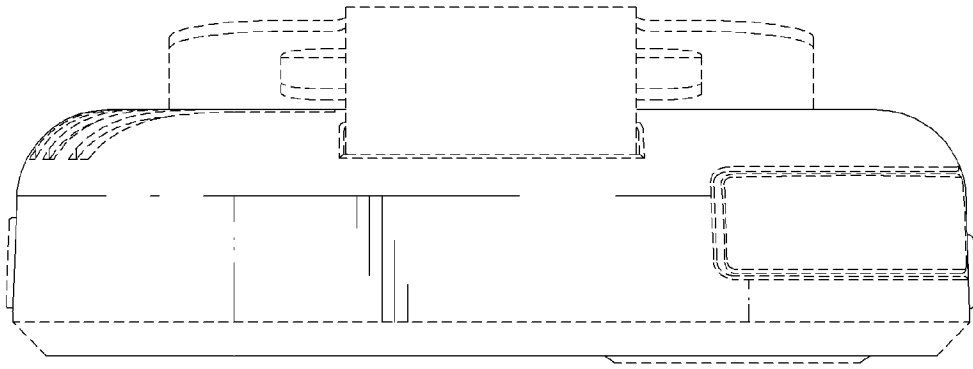


FIG. 9

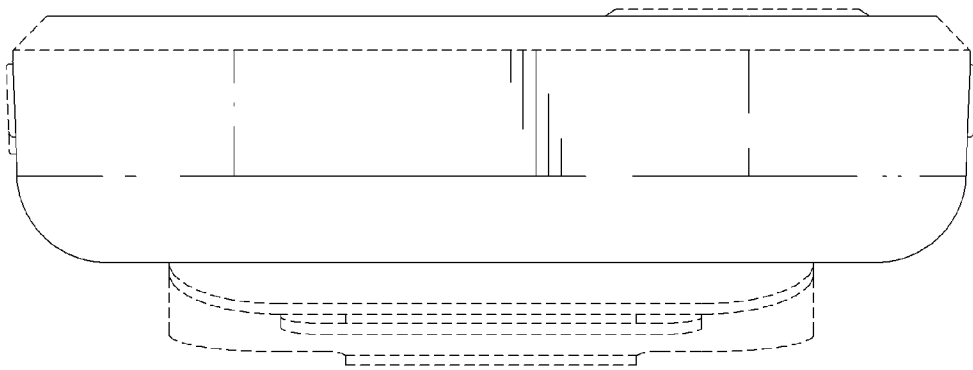


FIG. 10

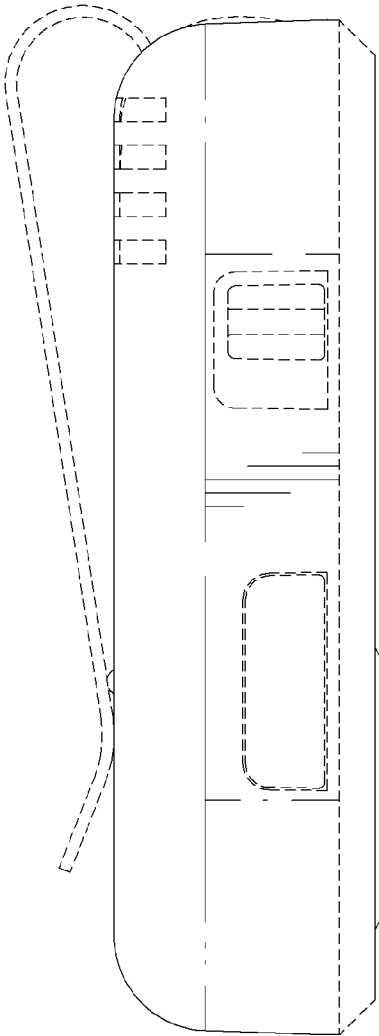


FIG. 11

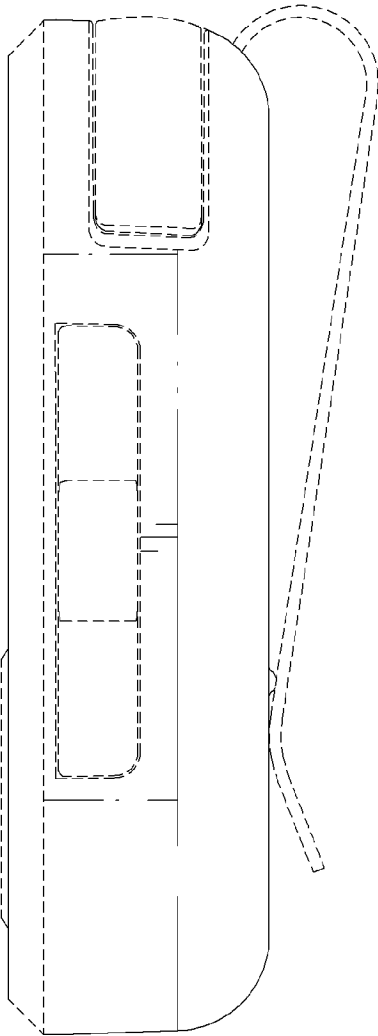


FIG. 12